



CONTAINER FLAGPOLE

PRODUCT OVERVIEW

Designed by Harrison Flagpoles specifically for the construction, housebuilder and plant hire market, the Container Flagpole creates an easy way to brand your site or signpost key areas. It will enable your site to stand out and allow people to see who is behind the hoarding. Ideal for housebuilders just starting on site prior to the main site branding being installed, or for other industries to highlight office areas, security or a first aid station.

The flagpole is easily installed onto a standard shipping container of any size using our proprietary 'twist-lock mechanism'. A spacer can be added when necessary, for non standard corners such as the ones on modular / office spaces.

The swivel arm top means your custom flag (available at an extra charge) is always seen no matter if there is a wind blowing.

Maximum wind speed when flagged: 30mph. Maximum wind speed when unflagged: 50mph. *Based on a single height container.

WHAT YOU'LL RECEIVE

- 1 x 3m 60mm Aluminium Flagpole (3mm Wall Thickness)
- 1 x 1m 60mm White Aluminium Swivel Top (Mushroom Finial)
- 1 x Bob Weight & Carabiner
- 1 x Galvanised Mounting Bracket

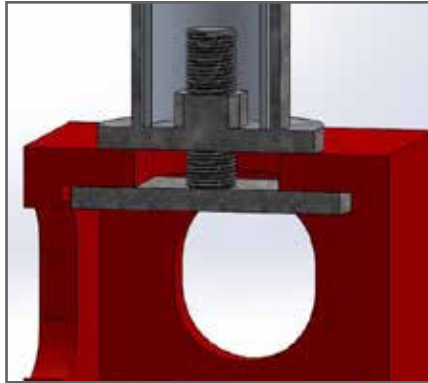
PRODUCT FEATURES

- UK Manufactured
- Made from Aluminium
- Easy to Assemble
- Fits any Container

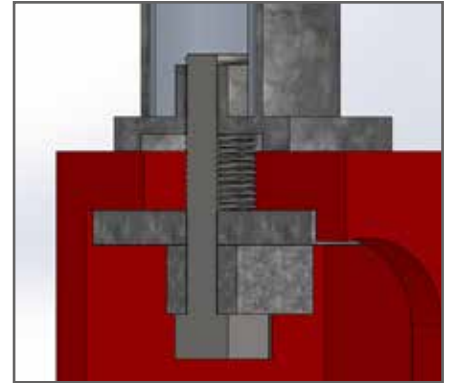
ACCESSORIES



MOUNTING BRACKET SITU

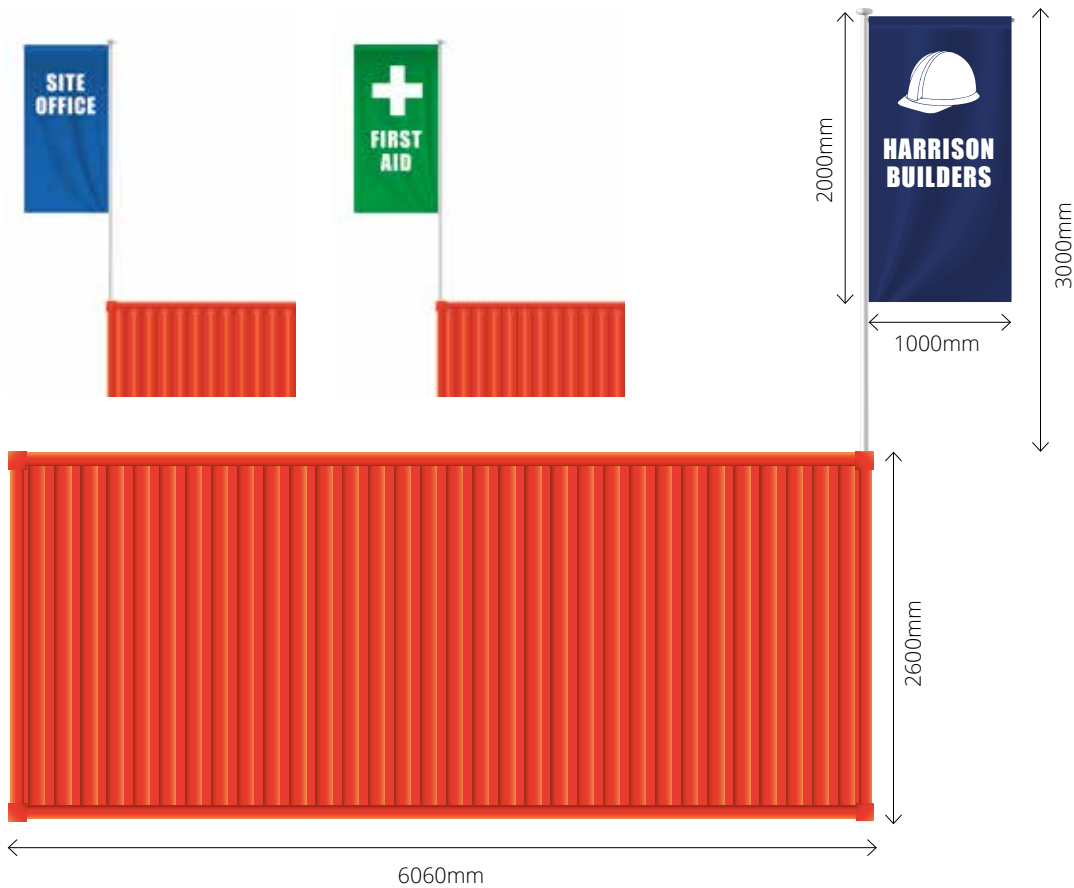


STANDARD FIXING MOUNT



ADDITIONAL SPACER

DIMENSIONS / FLAG STYLES



Harrison Group

38 Borough Road | Darlington | DL1 1SW | United Kingdom
phone: 01325 355 433 (145) | web: www.weareharrisons.co.uk | email: anthony.leonard@weareharrisons.com