



GLASSFIBRE BANNER POLES GROUND MOUNTED

PRODUCT OVERVIEW

Specially designed for premium housebuilders, the ground mounted glassfibre banner pole is an effective way of showcasing a temporary or permanent promotion. Our glassfibre banner poles provide a significant presence from afar and are very simple to install with a ground sleeve.

Avoid the cost of steel and the volatility of aluminium with a glassfibre pole. The banner pole can withstand windspeeds up to 40mph.

All of our banner poles are manufactured by our experienced team here in the UK which shortens the supply chain.

The double-sided banners can be easily replaced and are extremely hard wearing.

We can also create a custom design banner pole to suit your needs.



PRODUCT SPECIFICATIONS

- > 6m White Glassfibre Banner Pole
- > 100mm Diameter Banner Poles
- > 900mm Ground Sleeve inc Sleeve Bolts and Ground Bar
- > 2no Securing Bolts with 2no Powder Coated White Steel Arms
- > White Powder Coated Tension Bar

WIND SPEED CAPABILITY

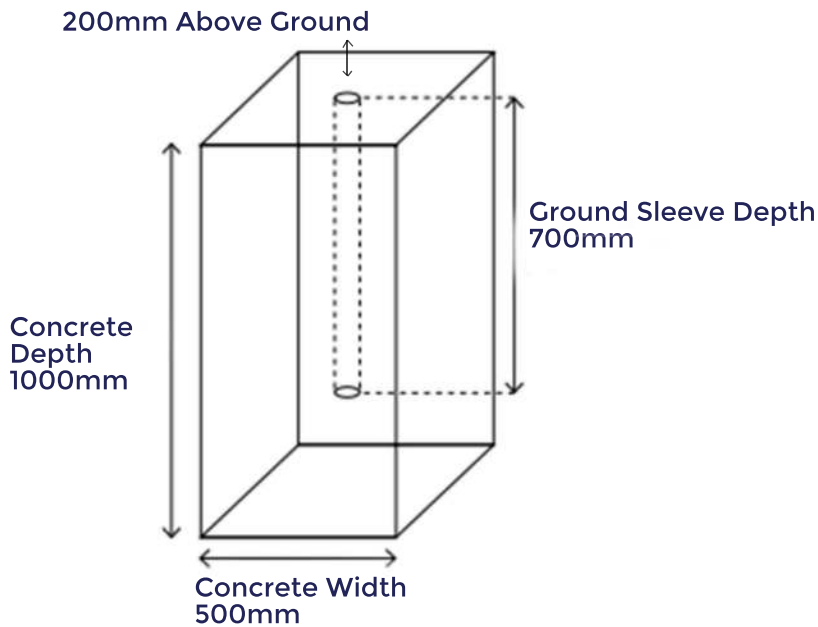
- > 2m x 1m PVC Banner – Max 40mph
- > 2m x 0.75m PVC Banner – Max 40mph
- > 1.8m x 0.75m PVC Banner – Max 40mph
- > 1.8m x 0.7m PVC Mesh Banner – Max 40mph

Harrison Group

Grindon Way | Newton Aycliffe | DL5 6SH | United Kingdom
phone: 01325 355 433 | web: www.weareharrisons.co.uk | email: sales@weareharrisons.com

INSTALLATION

- > Dig foundation to required size, see diagram (larger if ground is very sandy).
- > Order / mix concrete and place into hole (25- 30 Newton - 50 slump - 20mm aggregate).
- > Ensure cap is fitted to ground sleeve to stop concrete from filling the sleeve.
- > Insert ground sleeve vertically into concrete, capped end first. Use a spirit level to ensure the ground sleeve is vertical. You may prefer to hold the ground sleeve in position with weighted cross batons.
- > Leave foundation to set for several days.



Ground Sleeve

FLAGPOLE DIMENSIONS	
Appearance	Straight
Material	Glassfibre
Flagpole Length (m)	6
Butt Diameter \varnothing (mm)	100
Top Diameter \varnothing (mm)	100
Colour	Gel Coat White
Sections (pieces)	1

NB: We recommend that the concrete used in the bases should be of a C30 quality as normally purchased from a ready mixed concrete supplier. If purchaser is to mix concrete up themselves then the ratio of the mix ie Cement/Sand/Fine Aggregate must be 1:2:3 which results in a very strong mix. Any deviation from the above advice may results in warranty claims being invalid. If in any doubt please contact supplier for clarification.