



RIGGED FLAGPOLE

PRODUCT OVERVIEW

Harrison Flagpoles manufacture, supply and install fully rigged flagpoles in glassfibre, in sizes up to 18m as standard or up to 24m on request.

Responsible for the manufacture of some of the largest and complex rigged flagpoles in the UK, including HMS Sultan at 28 metres tall, HMS Raleigh and HMS Excellent. Whilst normally provided for Naval and MOD establishments, the rigged flagpole can also be designed and supplied for marinas, yacht clubs, maritime organisations and private properties.

Rigged flagpoles come complete with a yard arm and gaff, and can be adapted or modified to replicate an existing rigged mast currently in situ.

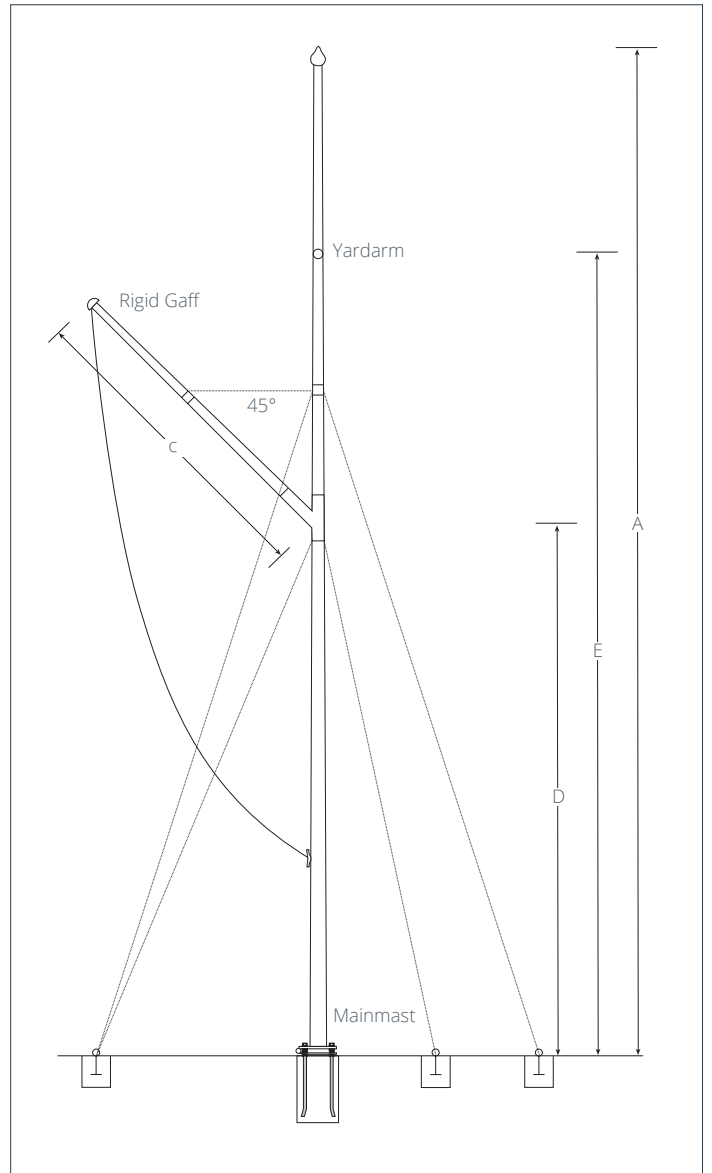
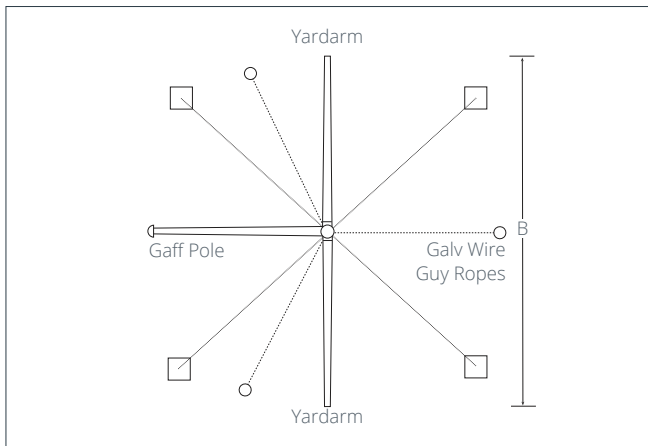
All rigging brackets are manufactured from galvanised mild steel and pole sections bonded into these to ensure their long-term performance. All the supporting rigging is supplied as standard, typically with stainless steel fittings, and a full installation service is available.

PRODUCT SPECIFICATIONS

Flagpole Dimensions								
Overall Height of Main Mast (m)	A	8	9	10	12	14	16	18
Overall Length of Yardarm (m)	B	3	3.5	4	4.5	5	6	7
Length of Gaff (m)	C	2.5	2.75	3	3.5	4	5	6
Location of Gaff Steelwork (m)	D	4	4.5	5	6	7	8	9
Location of Yardarm (m)	E	6	6.5	7.5	9	10.5	12	13.5
Number of Main Guy Wires		3	3	4	8	8	8	8
Diameter of Guy Wires (Stainless / Galvanised) (mm)		6 / 8	6/10	6/10	6/10	8/10	8/10	8/10
Length of Guys		5.5	6	9.5	11	12	13.5	15
Guy Anchor Foundation (Square)		0.5	0.5	0.5	0.5	0.5	0.5	0.5

PRODUCT FEATURES

- Available from 8 Metres Upwards
- Designed to Fly Landscape Flags
- Made from Glassfibre
- Available in 1 Piece
- Tapered in Appearance
- Custom Design Service Available



Harrison Group

38 Borough Road | Darlington | DL1 1SW | United Kingdom
 phone: 01325 355 433 | web: www.weareharrisons.co.uk | email: sales@weareharrisons.com