

# Installation Guide



Garden Flagpole - Standard 1 Piece Internal - Ground Sleeve

6m

# Garden Flagpole - Standard 1 Piece Internal - Ground Sleeve

## Parts Checklist

- A 1 x Aluminium Powder Coated Pole with Fairlead & Saddle (6m)
- B 1 x Ground Sleeve & Cap (750mm x 64mm)
- C1 1 x Gold Finial **Or**
- C2 1 x Mushroom Finial
- D 1 x Swivel Clip
- E 1 x Fixed Clip
- F 1 x Bob Weight (671g)

A



B



C1



C2



D



E



F

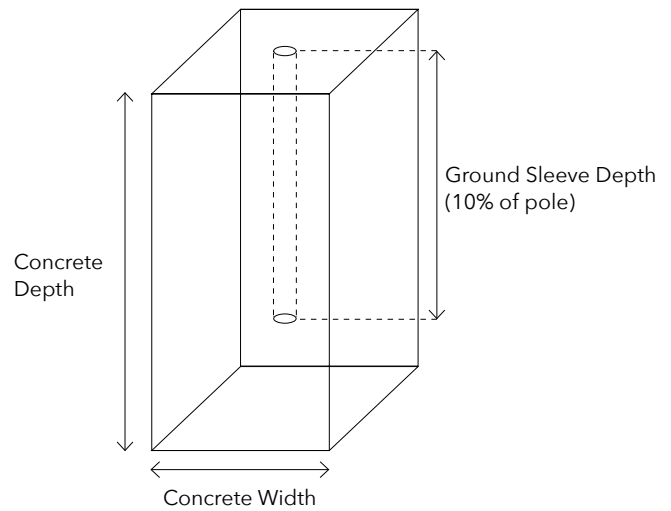


# Garden Flagpole - Standard 1 Piece Internal - Ground Sleeve

## Step 1

- » Dig foundation to required size see diagram (larger if ground is very sandy).
- » Order / mix concrete and place into hole (25 - 30 Newton - 50 slump - 20mm aggregate).
- » Ensure cap is fitted to ground sleeve to stop concrete from filling the sleeve.
- » Insert ground sleeve vertically into concrete, capped end first. Use spirit level to ensure ground sleeve is vertical. You may prefer to hold the ground sleeve in position with weighted cross batons.
- » Leave foundation to set for several days.

Ground Sleeve Installation - See Below (Flagpole Dimensions)



Flagpole Dimensions	
Appearance	Cylinder
Material	Aluminium / Glassfibre
Flagpole Length (m)	6
Butt Diameter Ø (mm)	60
Top Diameter Ø (mm)	60
Colour	White
Sections (pieces)	1
Recommended Flag Size (mm)	1830 x 910
Base Fixing	Ground Sleeve
Foundation Required (w2 x d) (mm)	500 x 1000
Maximum Wind Speeds (mph Flagged)	30

**NB:** We recommend that the concrete used in the bases should be of a C30 quality as normally purchased from a ready mixed concrete supplier. If purchaser is to mix concrete up themselves then the ratio of the mix i.e. Cement/Sand/Fine Aggregate must 1:2:3 which results in a very strong mix. Any deviation from the above advise may result in warranty claims being invalid. If in any doubt please contact supplier for clarification.

# Garden Flagpole - Standard 1 Piece Internal - Ground Sleeve

## Step 2

Unravel the halyard from the end of the flagpole and tie the fixed clip to the end of the halyard, make sure that it is secure with at least two knots.



## Step 3

Attach the fixed clip to the bob weight and slide the bob weight over the pole.



## Step 4

Screw the gold finial or the mushroom finial on to the fairlead & saddle and hand tighten.

*(It is recommended that the pole is raised at this point. Slide the pole into the ground sleeve ensuring that the concrete has completely set)*



## Step 5

Open the door of the flagpole using the key provided. Release the halyard from the spring loaded mechanism. Pull the halyard downwards until the halyard is taut (weight off the ground)



## Step 6

Thread the halyard attached to the end of the flag through loop on the swivel clip. Secure the halyard to the clip by first creating a small loop, then wrapping the remaining halyard around itself 3 times. Thread the remaining halyard through the loop and pull tight to secure. When secure attach the swivel clip to the bob weight.



## Step 7

Create a double loop knot in the halyard. Double the halyard back on itself to create a horizontal loop, pull the halyard down behind the first loop and create a vertical loop. Bring the first loop around behind the vertical loop and pull back through to create a double loop knot. Place the toggle through the slip knot and pull tight.



# Garden Flagpole - Standard 1 Piece Internal - Ground Sleeve

## Step 8

Hoist the flag until it reaches the top of the pole. Secure the halyard in the sprung loaded mechanism.



## Step 9

Place the remaining halyard down into the pole cavity, place the door back onto the pole and lock to secure.

