

Installation Guide



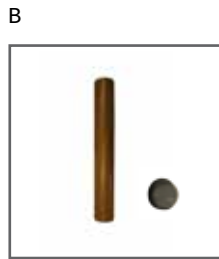
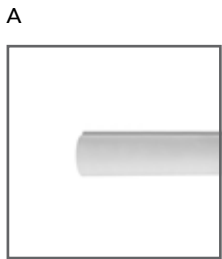
Housebuilder Flagpole - Executive Swivel Arm - Ground Sleeve

6m

Housebuilder Flagpole - Executive Swivel Arm - Ground Sleeve

Parts Checklist

- A 1 x Glassfibre Pole (6m)
- B 1 x Ground Sleeve & Cap (103mm inside diameter, suitable for 100mm - 65mm tapered flagpole)
- C 1 x Banner Arm (35.5mm diameter x 1100mm length)
- D 1 x Swivel Top
- E 1 x Bob Weight (671g)
- F 1 x Tek Screw
- G 1 x Carabiner Clip

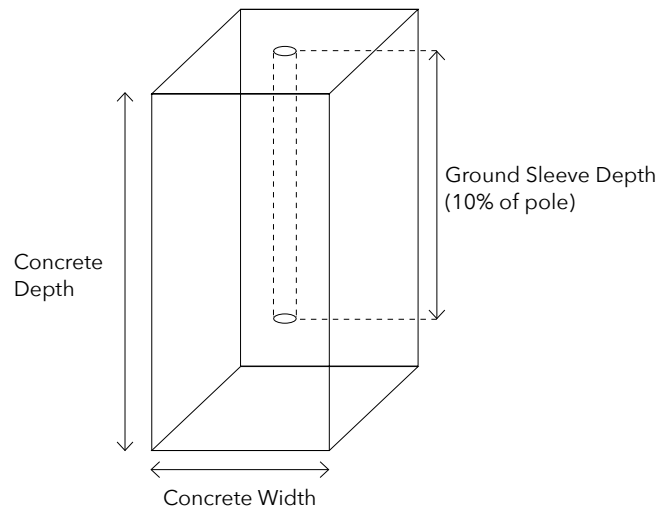


Housebuilder Flagpole - Executive Swivel Arm - Ground Sleeve

Step 1

- » Dig foundation to required size see diagram (larger if ground is very sandy).
- » Order / mix concrete and place into hole (25 - 30 Newton - 50 slump - 20mm aggregate).
- » Ensure cap is fitted to ground sleeve to stop concrete from filling the sleeve.
- » Insert ground sleeve vertically into concrete, capped end first. Use spirit level to ensure ground sleeve is vertical. You may prefer to hold the ground sleeve in position with weighted cross batons.
- » Leave foundation to set for several days.

Ground Sleeve Installation - See Below (Flagpole Dimensions)



Flagpole Dimensions	
Appearance	Tapered
Material	Glassfibre
Flagpole Length (m)	6
Butt Diameter Ø (mm)	100
Top Diameter Ø (mm)	65
Colour	Gel Coat White
Sections (pieces)	1
Recommended Flag Size (mm)	1000 x 2000
*Maximum Wind Speeds (mph Flagged)	30

NB: We recommend that the concrete used in the bases should be of a C30 quality as normally purchased from a ready mixed concrete supplier. If purchaser is to mix concrete up themselves then the ratio of the mix i.e. Cement/Sand/Fine Aggregate must 1:2:3 which results in a very strong mix. Any deviation from the above advise may result in warranty claims being invalid. If in any doubt please contact supplier for clarification.

Housebuilder Flagpole - Executive Swivel Arm - Ground Sleeve

Step 2

Attach the bob weight to the bottom eyelet on the flag using the carabiner. Slide the bob weight over the top of the pole. Followed by the mastbands.



Step 3

For Flags with eyelets:

Wrap plastic pole ties around the pole, through the eyelets and secure together. Once loops are securely attached, slide the bob weight onto the pole followed by the plastic loops.



Step 4

Secure the swivel arm to the flagpole by creating a hole in the pole using the tek screw. Align the hole in the black socket with the hole in the pole and secure.



Step 5

Slide the banner arm into the flag sleeve (cap end first). Line up the holes in the banner arm to the corresponding holes in the swivel top. Insert the bolts, followed by a washer and finally secure the nut in place. (Once the concrete has completely set. Slide the assembled pole into the ground sleeve.)

